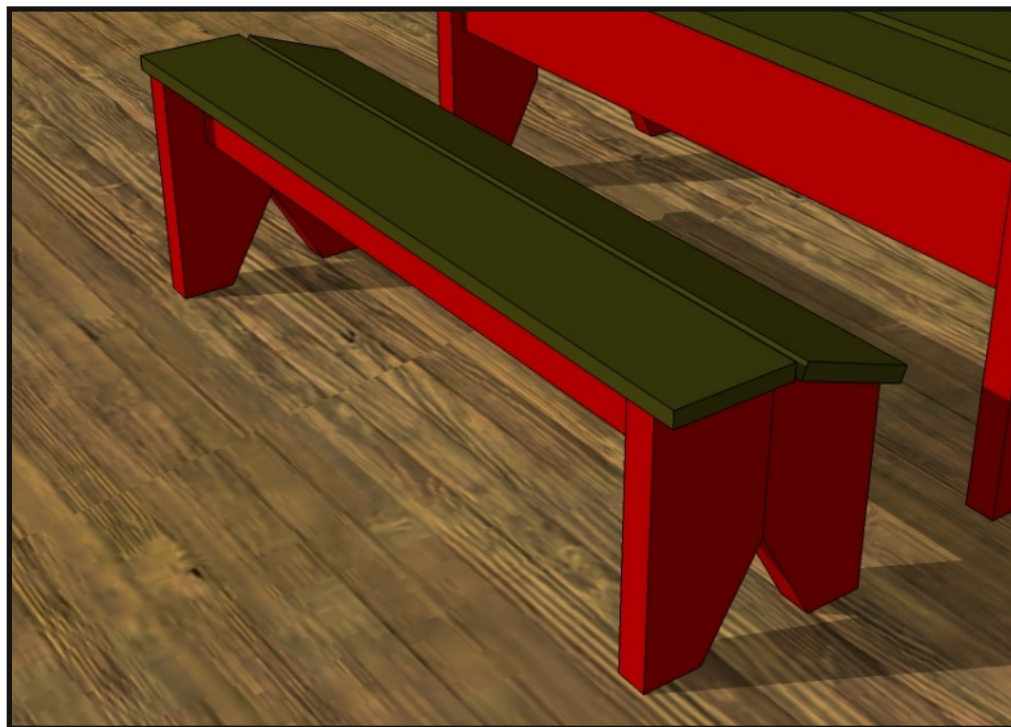


CHIEF'S SHOP PLAN OF THE WEEK



SIMPLE WOODWORKING: PORCH BENCH FOOTREST



WHAT YOU'LL NEED

LUMBER

- 1 - 1 x 6 x 8
 - 1 - 2 x 4 x 6
 - 1 - 2 x 6 x 8
- (availability will vary)*

HARDWARE/SUPPLIES

- 2 1/2" pocket hole screws
- 1 1/4" pocket hole screws
- pocket hole plugs (optional)
- wood glue/wood filler
- paint/stain

TOOLS

- miter saw
- sander
- drill/driver
- Kreg Pocket Hole Jig
- clamps
- square

PARTS

- Straight Legs (2)** - 1 1/2 x 5 1/2 x 12
- Angled Legs (2)** - 1 1/2 x 5 1/2 x 12
- Rails (2)** - 1 1/2 x 3 1/2 x 37
- Slats (2)** - 3/4 x 5 1/2 x 42

All parts are listed in actual dimensions. Refer to the Cutting Diagram on the last page of this plan as a guide for determining the specific board from which to cut the parts.

ABOUT THESE PLANS

On this first page you will see above the project complete. On the [last page](#) you'll find the finished outer dimensions. Be sure to read ALL of the project steps before you start.

To the right is a list of the Lumber, Hardware/Supplies, and Tools you will need to complete this project. A measuring tape and pencil are not included because that should be pretty standard and self explanatory.

Below What You'll Need is the Parts list. This also is included on the [Cutting Diagram](#) page, which is the next to last page of this plan document. Also on the [Cutting Diagram](#) page is an estimate of the cost of the lumber. This estimate doesn't include any other supplies and does not factor in sales tax.

Throughout these plans you'll find the icons below:



LAYOUT

This indicates a diagram detailing the dimensions of a project part and/or the placement for pocket holes, screws, nails, etc.



NOTE

Notes are the instructions for a particular step/section of the project.



TAKE CARE!

This indicates when to pay close attention to the diagrams, take precautions for safety, etc.



MORE PLANS

Want more Chief's Shop plans? Visit chiefs-shop.com and look through the Plans section. Be sure to "Like" Chief's Shop on facebook by heading over to facebook.com/ChiefsShop.

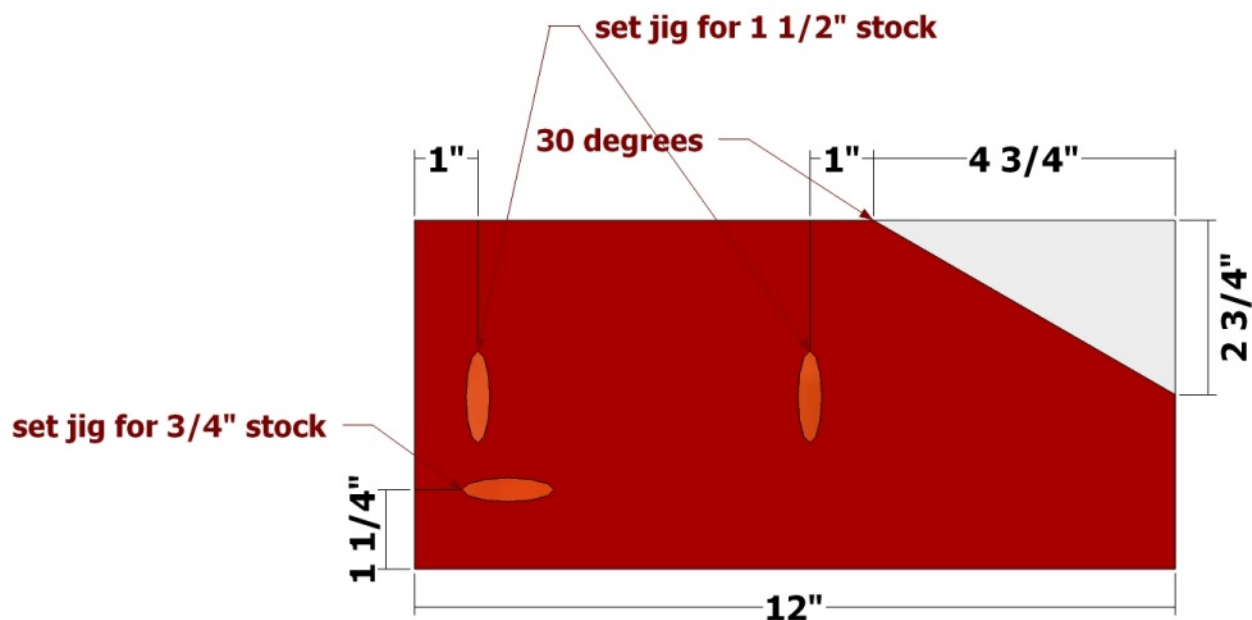
VIDEO

Check out Chief's Shop Videos on YouTube.

[\(click here\)](#)

LAYOUT

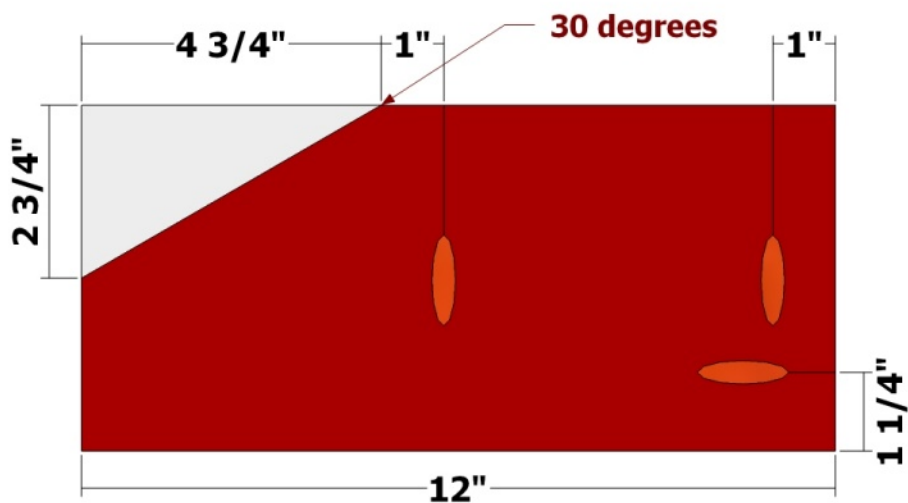
Straight Leg



NOTE

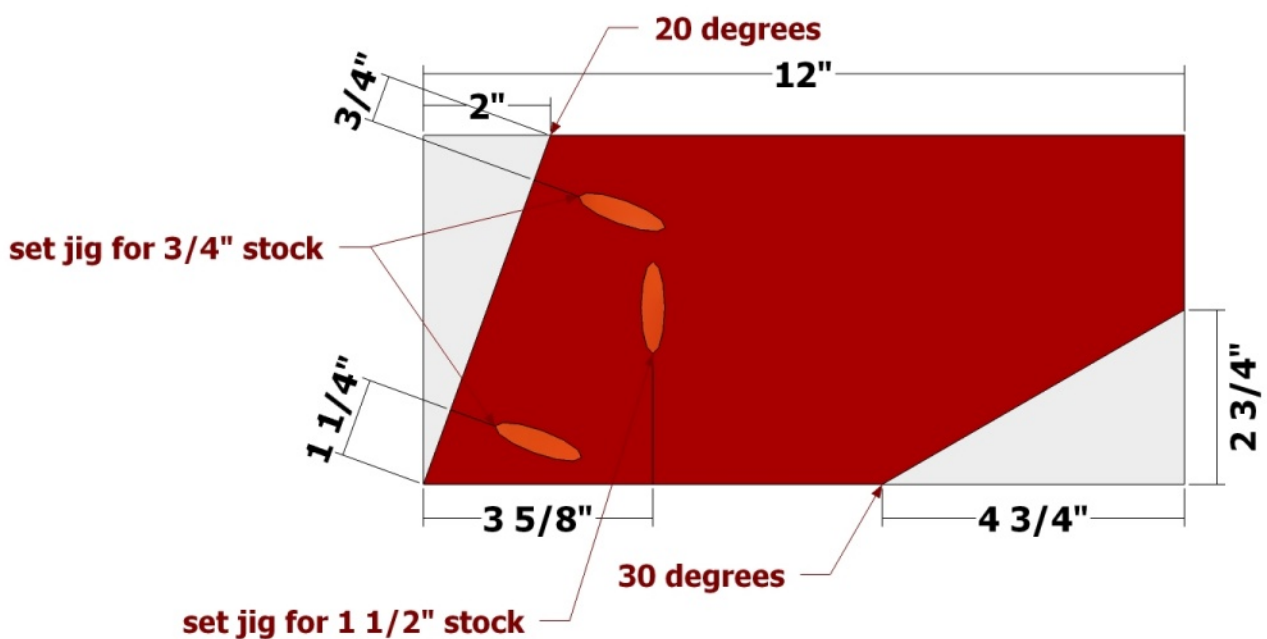
Use the layouts as guides for measuring, marking, cutting, and drilling pocket holes in the **Straight Legs**. Be sure to set your pocket hole jig and drill bit for 3/4-inch stock AND 1 1/2-inch stock where indicated. Make one of each.

Straight Leg



LAYOUT

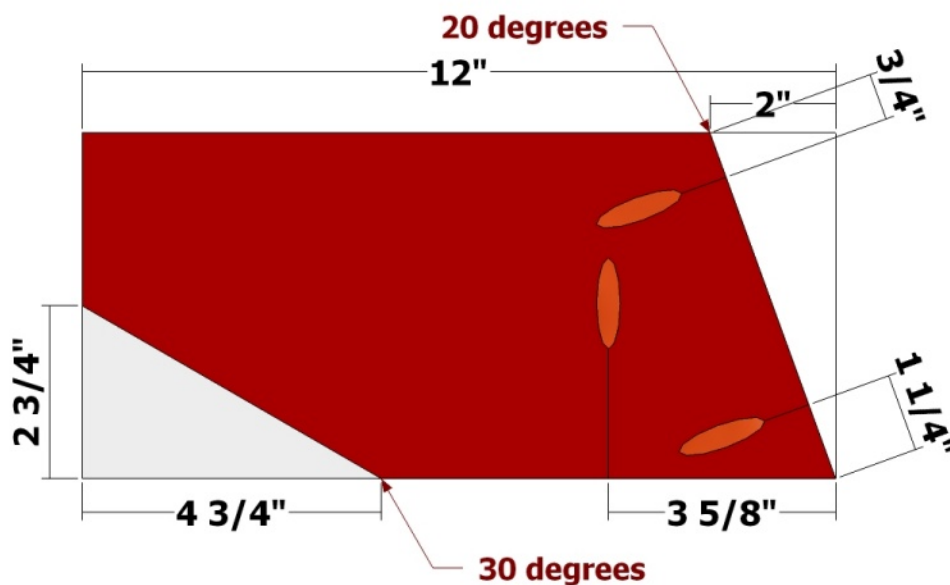
Angled Leg



NOTE

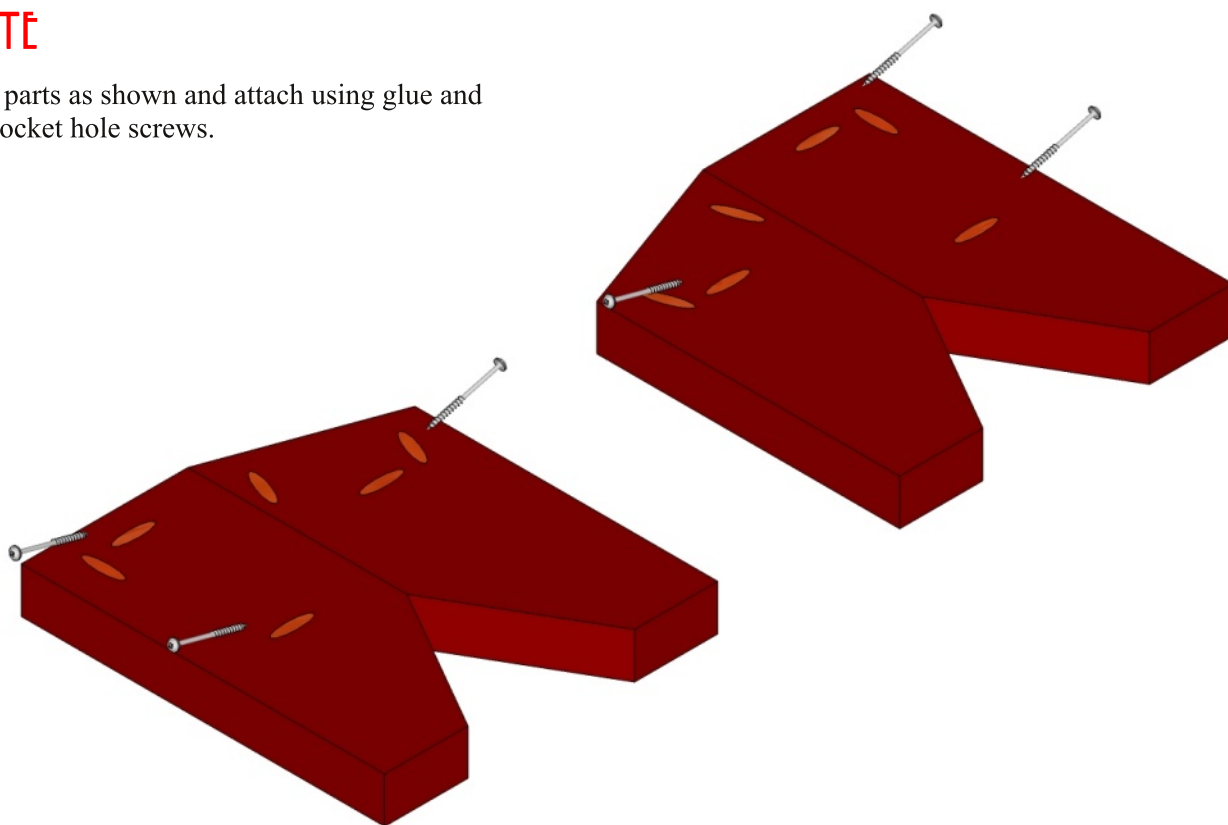
Use the layouts as guides for measuring, marking, cutting, and drilling pocket holes in the **Angled Legs**. Be sure to set your pocket hole jig and drill bit for 3/4-inch stock AND 1 1/2-inch stock where indicated. Make one of each.

Angled Leg

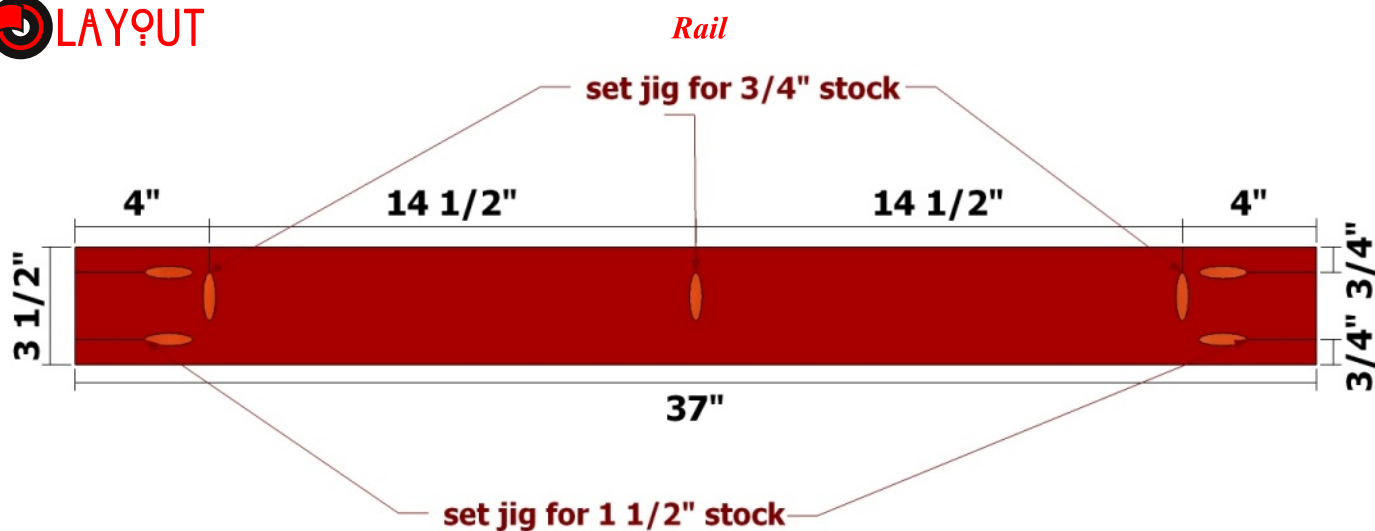


NOTE

Position the parts as shown and attach using glue and 2 1/2-inch pocket hole screws.



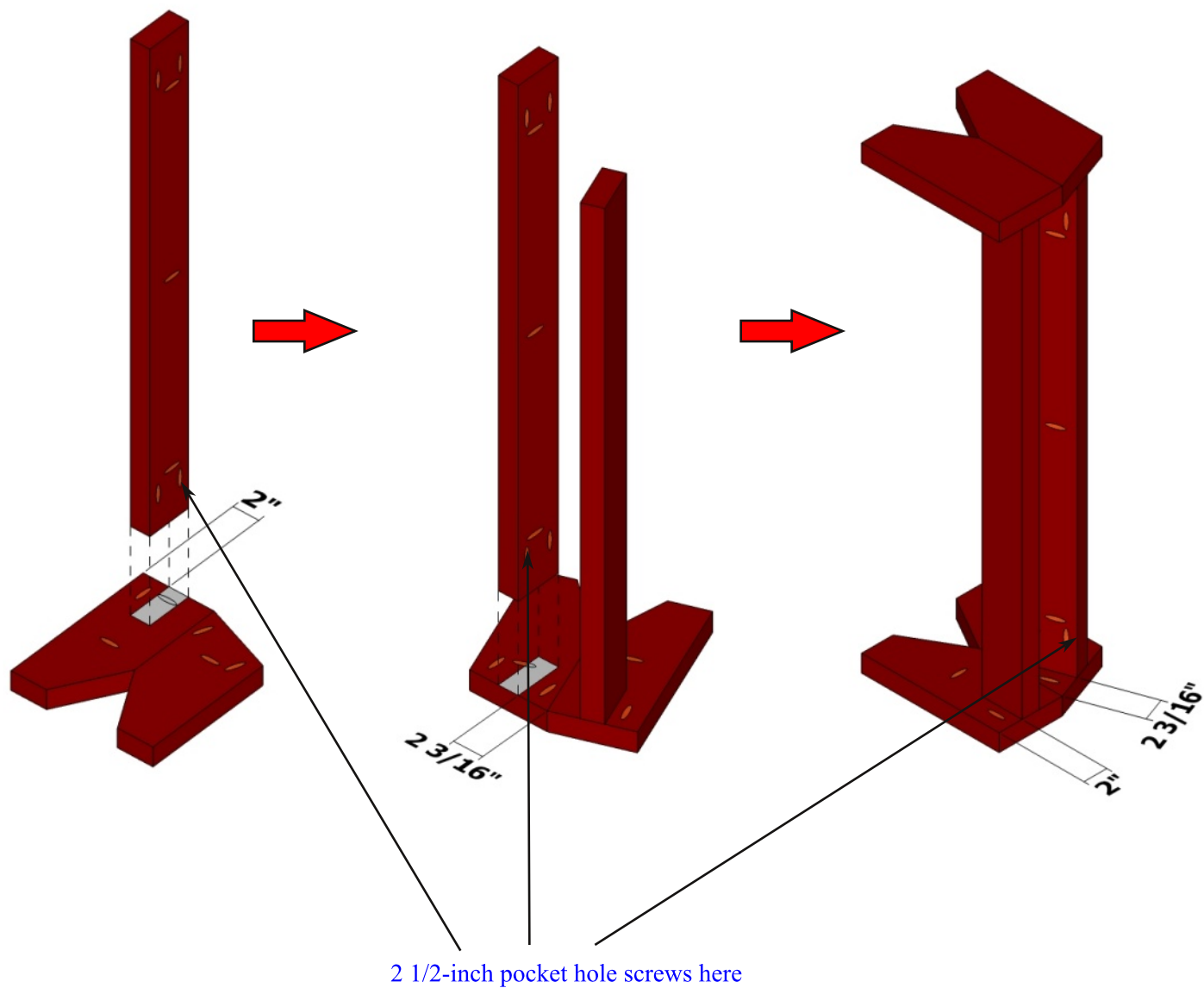
LAYOUT



NOTE

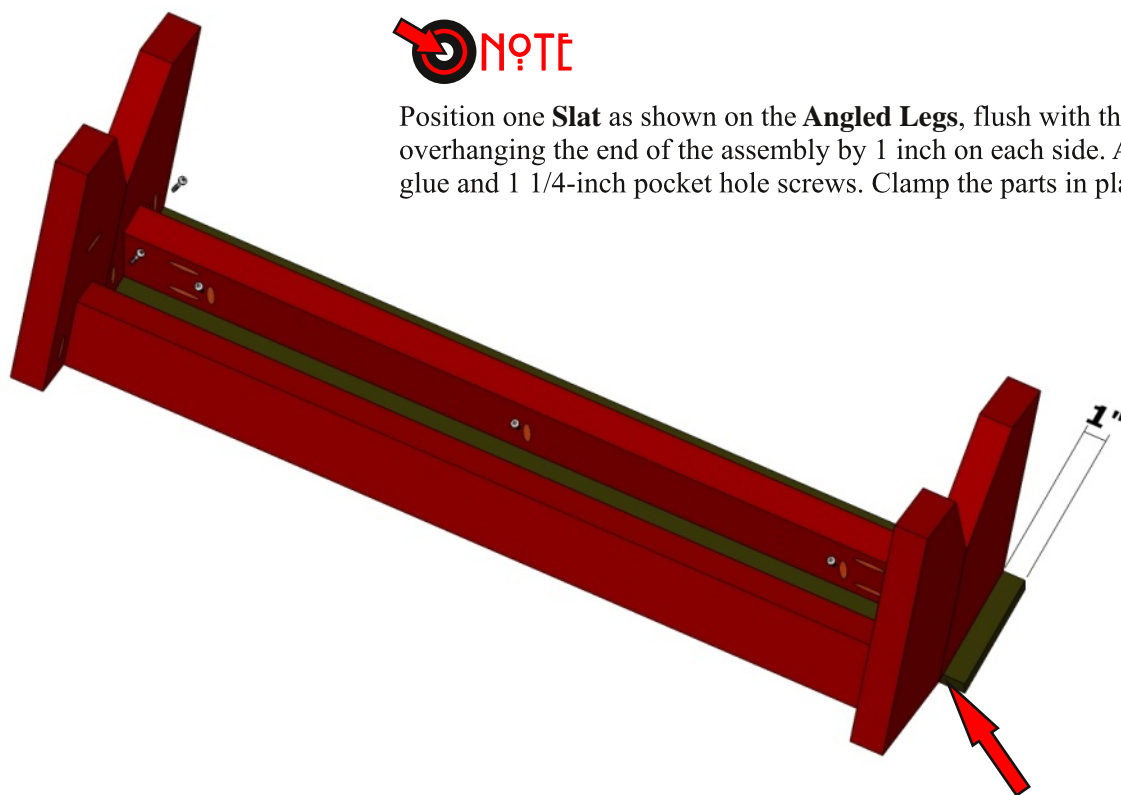
Use the layouts as guides for measuring, marking, cutting, and drilling pocket holes in the **Rails**. Be sure to set your pocket hole jig and drill bit for 3/4-inch stock AND 1 1/2-inch stock where indicated. Make two.

NOTE Position the parts as shown and attach using glue and 2 1/2-inch pocket hole screws. Clamp the parts in place during assembly. Fill the pocket holes with plugs if desired.



NOTE

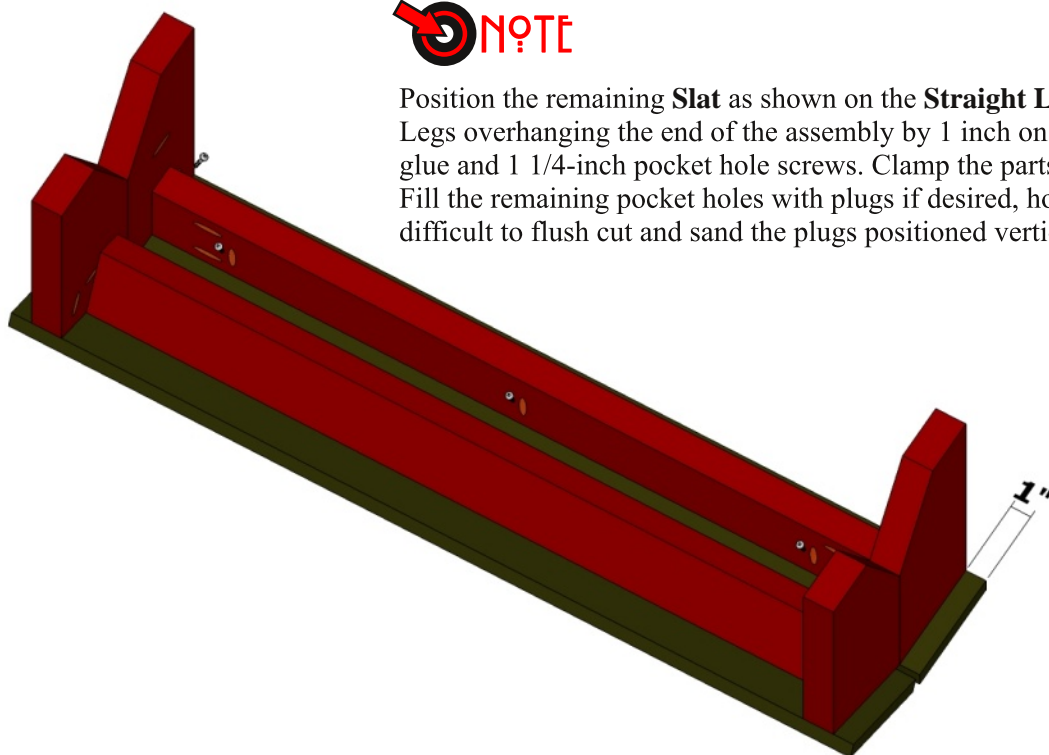
Position one **Slat** as shown on the **Angled Legs**, flush with the front edge and overhanging the end of the assembly by 1 inch on each side. Attach using glue and 1 1/4-inch pocket hole screws. Clamp the parts in place during assembly.



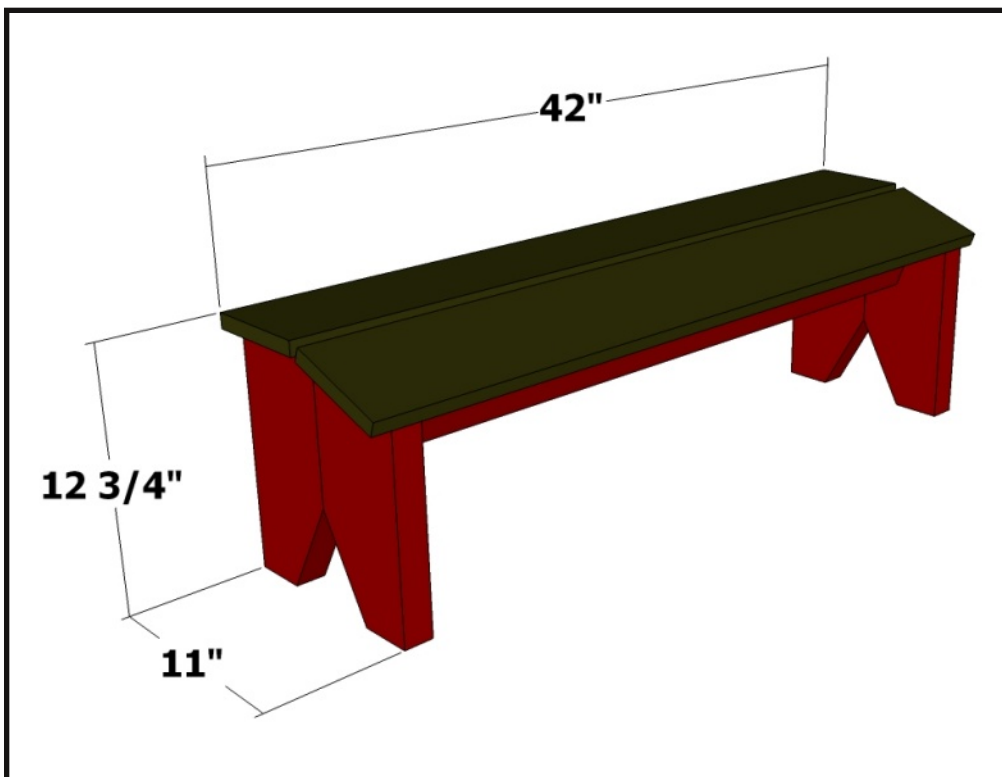
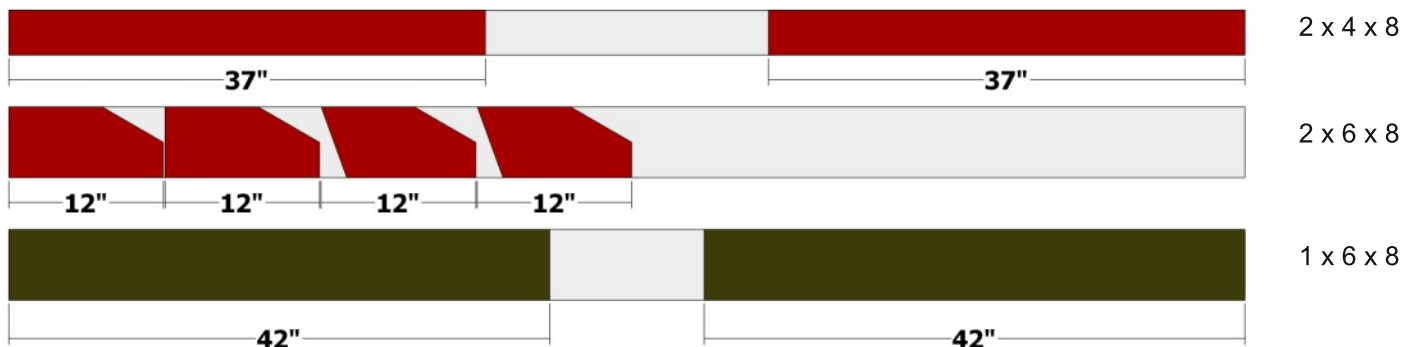
There will be a gap here between the edge of the **Slat** and the edge of the **Angled Leg**.

NOTE

Position the remaining **Slat** as shown on the **Straight Legs**, flush with the top of the Legs overhanging the end of the assembly by 1 inch on each side. Attach using glue and 1 1/4-inch pocket hole screws. Clamp the parts in place during assembly. Fill the remaining pocket holes with plugs if desired, however, you may find it difficult to flush cut and sand the plugs positioned vertically on the **Rails**.



 **CUTTING DIAGRAM**



 **PARTS** 

- Straight Legs (2)** - 1 1/2 x 5 1/2 x 12
- Angled Legs (2)** - 1 1/2 x 5 1/2 x 12
- Rails (2)** - 1 1/2 x 3 1/2 x 37
- Slats (2)** - 3/4 x 5 1/2 x 42

All parts are listed in actual dimensions. Refer to the Cutting Diagram on the last page of this plan as a guide for determining the specific board from which to cut the parts.

 **TAKE CARE!**

Follow ALL SAFETY GUIDELINES AND RECOMMENDATIONS provided by the manufacturers of your tools, and any chemicals such as glue and finishes you use in this project. YOU are responsible for your safety, so use common sense when working in the shop!