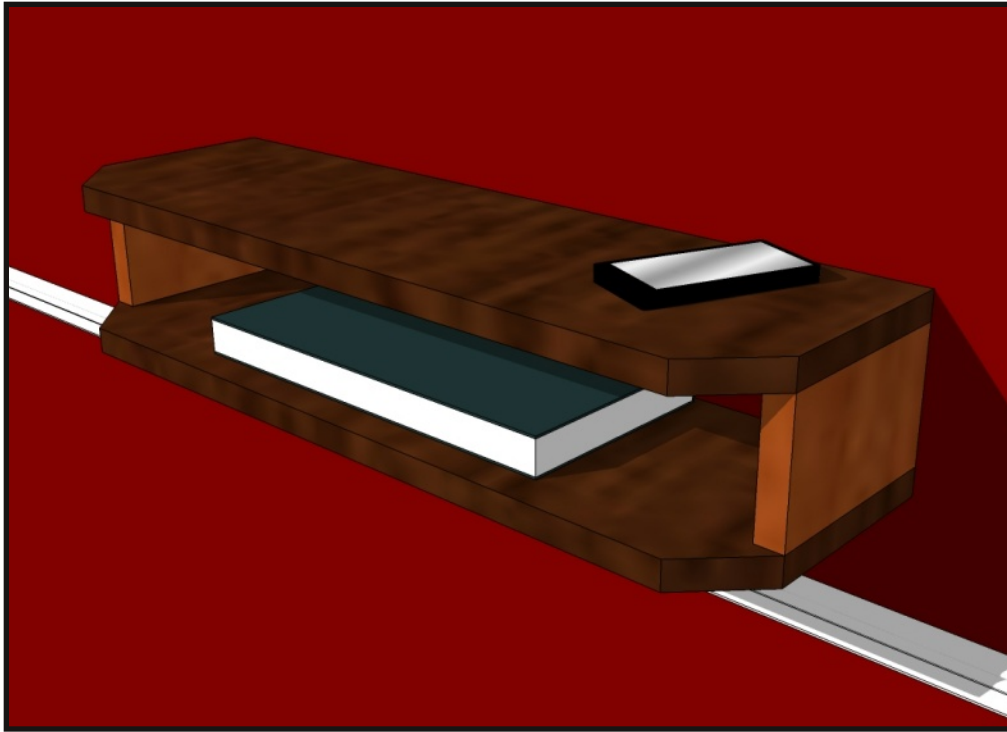


CHIEF'S SHOP PLAN OF THE WEEK



SIMPLE WOODWORKING: WALL-MOUNTED CONSOLE



ABOUT THESE PLANS

On this first page you will see above the project complete. On the last page you'll find the finished outer dimensions.

To the right is a list of the Lumber, Hardware/Supplies, and Tools you will need to complete this project. A measuring tape and pencil are not included because that should be pretty standard and self explanatory.

Below What You'll Need is the Parts list. This also is included on the Cutting Diagram page, which is the last page of this plan document.

Throughout these plans you'll find the icons below:



LAYOUT

This indicates a diagram detailing the dimensions of a project part and/or the placement for pocket holes, screws, nails, etc.



NOTE

Notes are the instructions for a particular step/section of the project.



TAKE CARE!

This indicates when to pay close attention to the diagrams, take precautions for safety, etc.

WHAT YOU'LL NEED



LUMBER

1 - 1 x 8 x 6

(availability will vary)

HARDWARE/SUPPLIES

3 1/2" wood screws

1 1/4" pocket hole screws

1 1/2" wire brads

or 4d nails

wood glue

paint/stain/polyurethane

TOOLS

table saw

miter saw

drill/driver

pneumatic nailer

or hammer

Kreg pocket hole jig

& drill bit

level

clamps

PARTS

Console Cleat (1) - 3/4 x 1 9/16 x 22 1/2

Wall Cleat (1) - 3/4 x 1 9/16 x 22

Ends (2) - 3/4 x 3 1/2 x 5 1/2

Bottom (1) - 3/4 x 7 1/4 x 24

Top (1) - 3/4 x 7 1/4 x 24

All parts are listed in actual dimensions. Refer to the Cutting Diagram on the last page of this plan as a guide for determining the specific board from which to cut the parts.

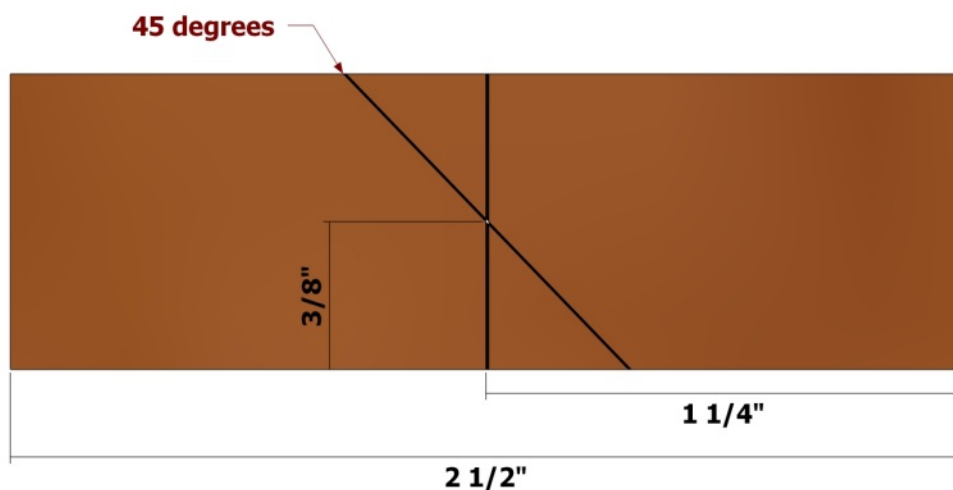
MORE PLANS

Want more Chief's Shop plans? Visit chiefs-shop.com and look through the Plans section.

Be sure to "Like" Chief's Shop on facebook by heading over to facebook.com/ChiefsShop.

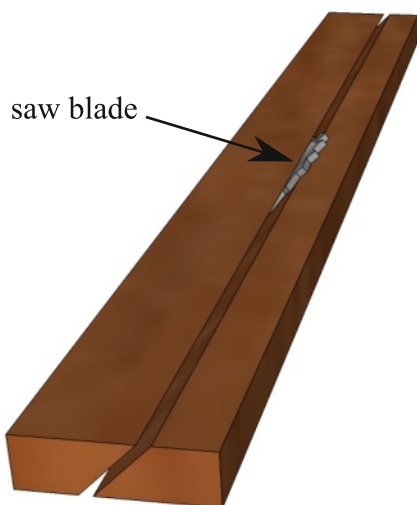
LAYOUT

Cleats



NOTE

Cut a 23-inch length of the 1 x 8 and rip it to 2 1/2 inches. Mark a centerline across the end, mark the centerpoint of this line and draw a 45-degree angle that bisects this centerpoint, as shown at left.



NOTE

Set the saw blade on your table saw at 45 degrees, then set the fence on your table saw so that the 45-degree mark lines up with the saw blade. Rip the board to create the **Console Cleat** and **Wall Cleat**. Cut one to 22 1/2 inches long (**Console Cleat**) and the other to 22 inches long (**Wall Cleat**).

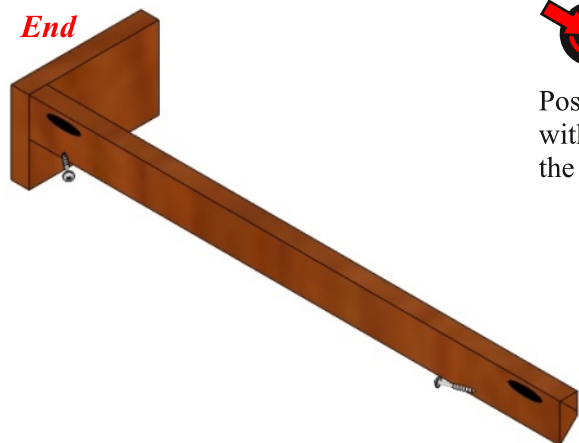


LAYOUT

Use the layout as a guide for drilling one pocket hole on each end of the **Console Cleat**. Make sure to drill on the widest face of the cleat and on the opposite edge from the bevel edge. Set your pocket hole jig and drill bit for 3/4-inch stock.

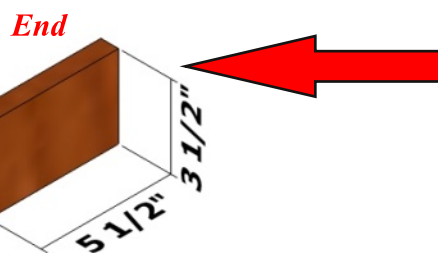


LAYOUT



NOTE

Position the **Console Cleat** with the pocket hole side flush with the ends and edges of the **Ends** as shown, and attach to the **Ends** using glue and 1 1/4-inch pocket hole screws.

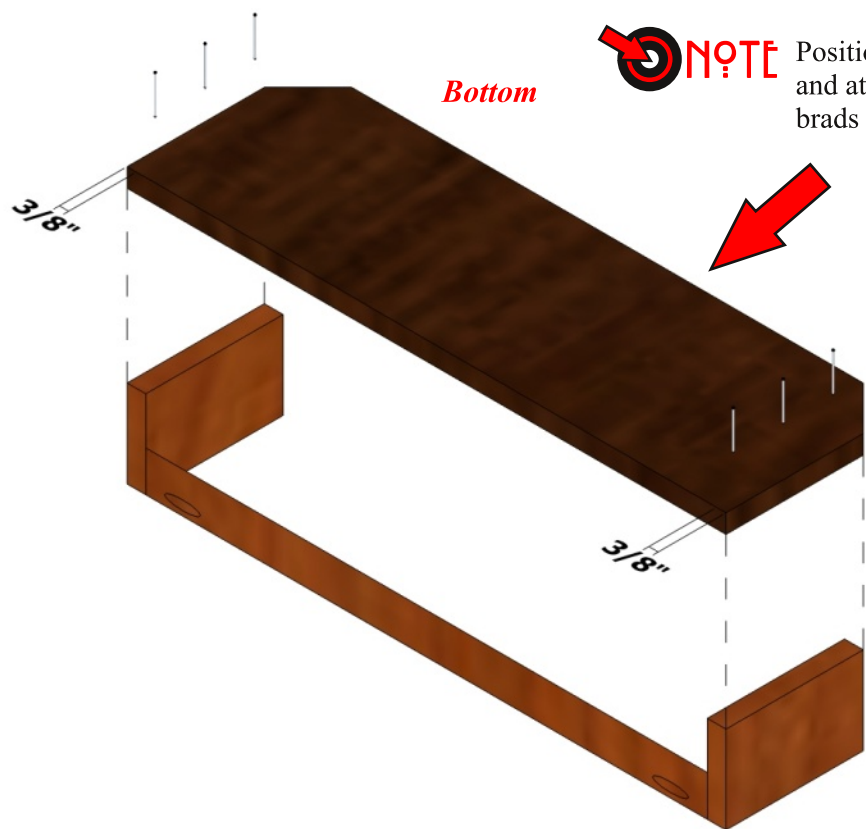


LAYOUT



NOTE

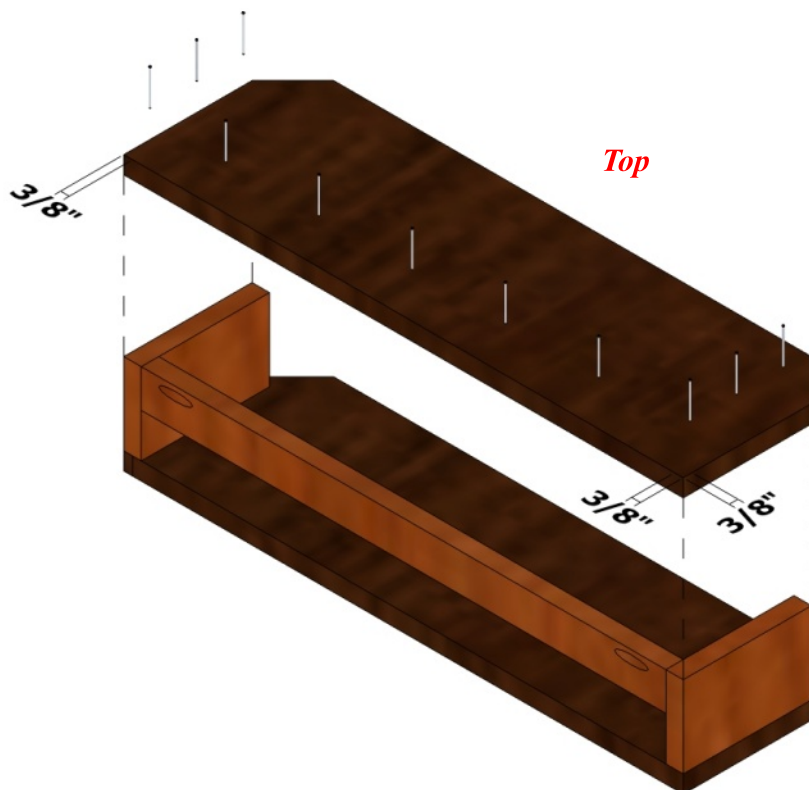
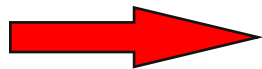
Use the layout as a guide for cutting the **Bottom** and **Top**. Double check the measurement of the width of the **Console Cleat/Ends** assembly and adjust the length of the **Bottom** and **Top** if needed.

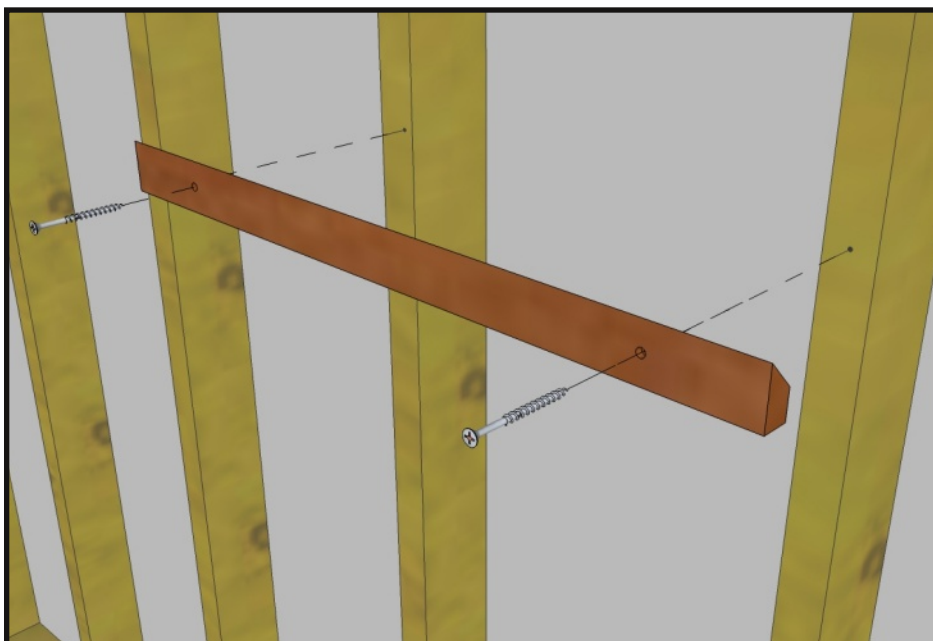


NOTE Position the **Bottom** flush with the **Ends** and attach using glue and 1 1/2-inch brads or 4d nails as shown.



Position the **Top** flush with the **Ends** and attach using glue and 1 1/2-inch brads or 4d nails as shown.





 NOTE

Use a level to square the **Wall Cleat** and attach it to the studs in your wall using 3 1/2-inch screws, as shown. (The drywall is transparent to illustrate the position of the studs). Be sure to countersink the pilot holes.

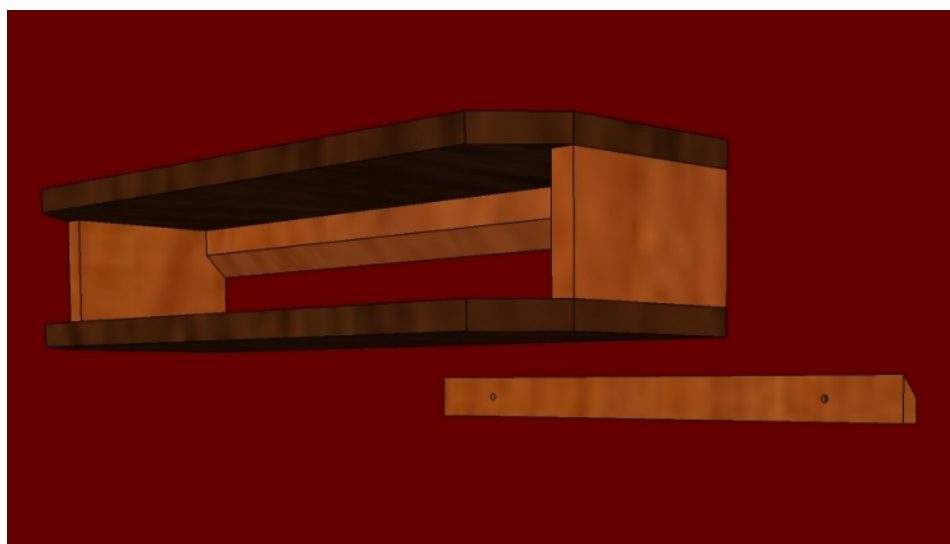


 NOTE

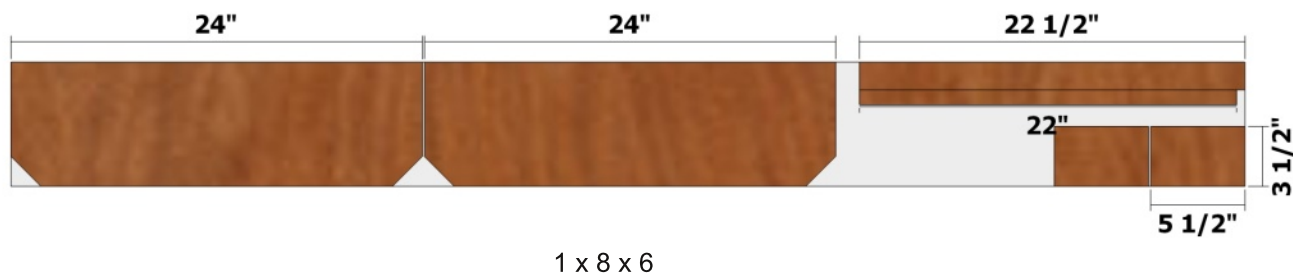
Position the Console Assembly centered on the **Wall Cleat** with the Console Cleat snugly fitting on the Wall Cleat.

 TAKE CARE!

Make sure the **Wall Cleat** is firmly attached to the studs in your wall. If you can't attach it to studs, make sure you use heavy-duty wall anchors appropriate for your wall type.



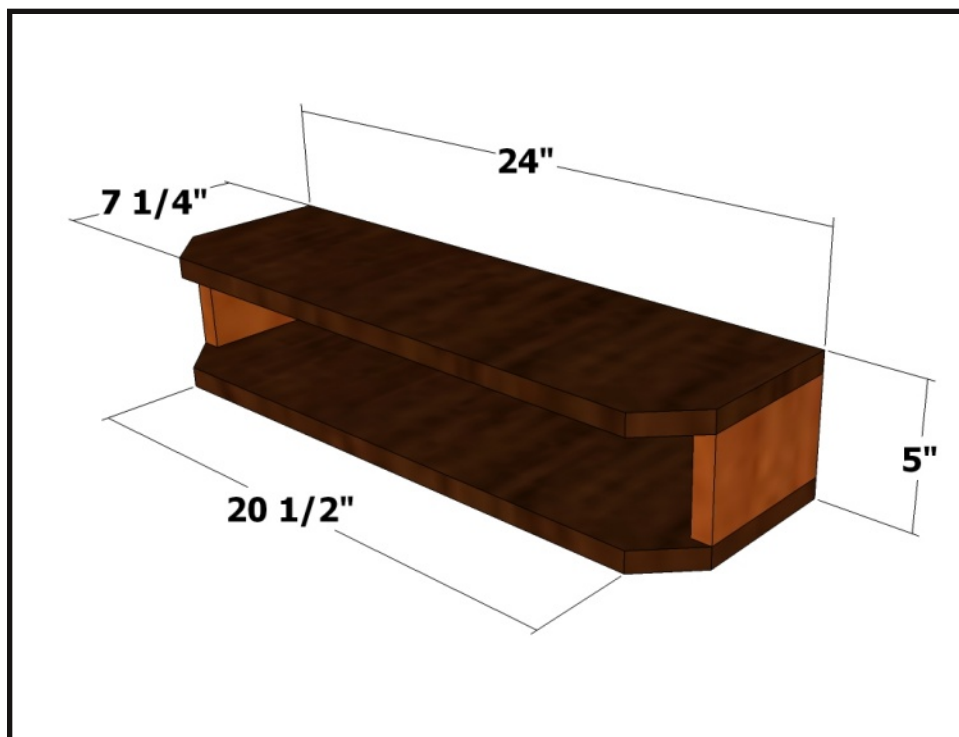
K CUTTING DIAGRAM



✚ PARTS ✚

Console Cleat (1) - 3/4 x 1 9/16 x 22 1/2
 Wall Cleat (1) - 3/4 x 1 9/16 x 22
 Ends (2) - 3/4 x 3 1/2 x 5 1/2
 Bottom (1) - 3/4 x 7 1/4 x 24
 Top (1) - 3/4 x 7 1/4 x 24

All parts are listed in actual dimensions. Refer to the Cutting Diagram on the last page of this plan as a guide for determining the specific board from which to cut the parts.



TAKE CARE! Follow ALL SAFETY GUIDELINES AND RECOMMENDATIONS provided by the manufacturers of your tools, and any chemicals such as glue and finishes you use in this project. YOU are responsible for your safety, so use common sense when working in the shop!